



JOB NAME:	CONTRACTOR:
JOB LOCATION:	APPROVAL:
ENGINEER:	CONTRACTOR P.O.:
APPROVAL:	REPRESENTATIVE:

M8E0770-0*

770 DIRECT MOUNT, 2-WAY 3-PC STAINLESS STEEL, FULL PORT, SANITARY CONNECTION, NON-CAVITY FILLED BALL VALVE W METAL ELECTRIC ACTUATOR

SIZES 1/2" TO 4"

M8E0771-0*

771 DIRECT MOUNT, 2-WAY 3-PC STAINLESS STEEL, FULL PORT, SANITARY CONNECTION, CAVITY FILLED BALL VALVE W METAL ELECTRIC ACTUATOR

SIZES 1/2" TO 4"

*001	12V AC/DC	*002	24V AC/DC	*003	100-240VAC
01	BATTERY BACKUP	*02*	POSITIONER	*04*	BAT. BACKUP W POS

SPECIFICATIONS

The Bonomi M8E0770 and M8E0771 series electric actuated packages feature the 770[non-cavity filled] and the 771[cavity filled] three-piece full port stainless steel ball valves with sanitary connections. Both valve series are ISO 5211 direct mount, and come with a grounded ball and stem, and a Ra 15 finish.

The Valbia electric VBM metal housing actuator fits directly over the 770/771 series square stem and ISO 5211 pad. The actuator also is standardly furnished with dual voltages, two extra limit switches, torque limiter, manual override, a dome position indicator, 1/2" conduit connections, 75% duty cycle motor, contained in a NEMA 4 cast aluminum powder coated housing.

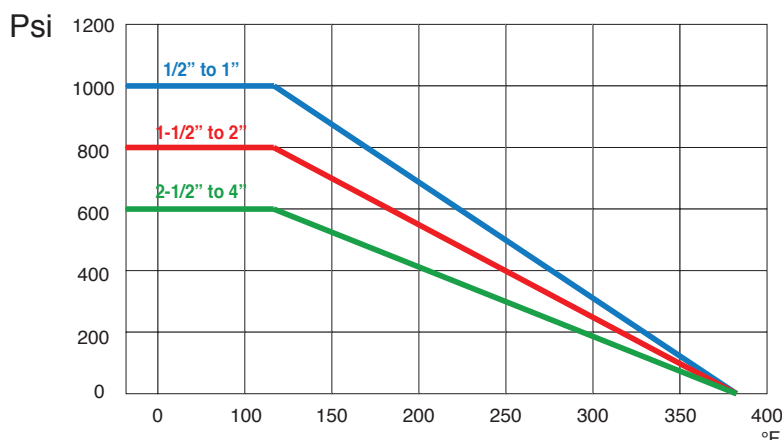
ACTUATOR FEATURES

- Dual Voltages
- CSA, UL approved
- 24V AC/DC and 100-240V AC
- ISO 5211 dual patterns
- 75% Duty Cycle
- High-Strength, Die Cast Aluminum Powder Coated Housing
- Temperature Range -4°F to 131°F
- NEMA 4 Housing
- Two Auxiliary Switches Standard
- Torque limiter standard
- 1/2" Conduit connections

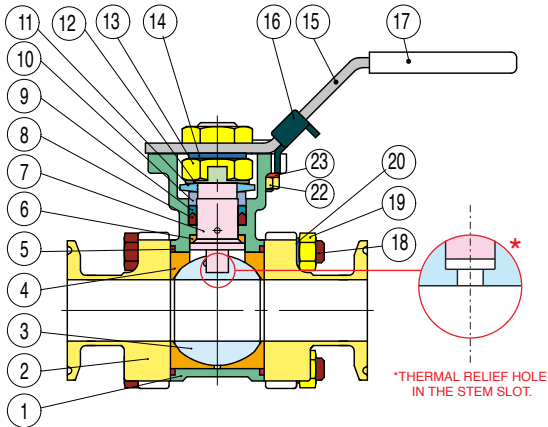
VALVE FEATURES

- Stainless Steel, 3 Piece Direct Mount
- Full port, sizes 1/2" to 4"
- 770 - Non-Cavity Filled
- 771 - Cavity Filled
- ISO 5211 mounting pad with double "D" stem
- Temperature range -20°F to 450°F
- Working pressure 1000 psi WOG (1/2" to 1")
800 psi WOG (1-1/2" to 2")
600 psi WOG (2-1/2" to 4")
- Blow-out proof stem
- Anti-static Device
- International polishing to Ra 15 micron
- Tri-clamp style end connections
- Ball valves comply with standards: ISO 5211, ANSI B16.11, MSS SP-25, MSS SP-55
- Maintenance free live loaded double sealing stem

PRESSURE TEMPERATURE CHART FOR 770/771



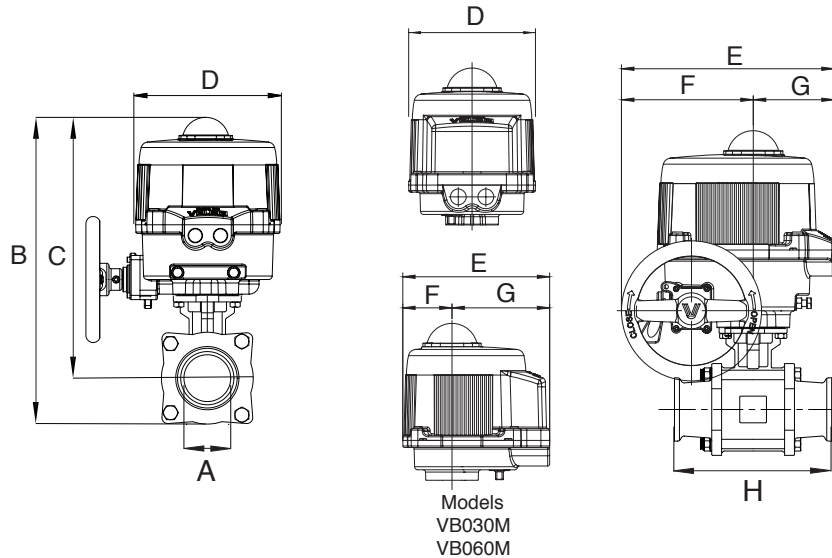
BILL OF MATERIALS FOR 770/771



N POS	PART NAME	MATERIAL	N PCS
1	BODY	CF8M	1
2	END CONNECTION	CF8M	2
3	BALL	SS316L	1
4	SEATS	P.T.F.E.	2
5	JOINT GASKET	P.T.F.E.	2
6	STEM SEAL	R.P.T.F.E.	1
7	STEM	SS316L	1
8	GLAND PACKING	P.T.F.E.	2
9	GLAND PACKING	P.T.F.E. + GLASS	1
10	GLAND BUSH	SS304	1
11	BELLEVILLE WASHER	SS301	2
12	STOP WASHER	SS304	1

N POS	PART NAME	MATERIAL	N PCS
13	STEM NUT	SS304	2
14	STEM WASHER	SS304	1
15	HANDLE	SS304	1
16	LOCKING DEVICE	SS304	1
17	HANDLE SLEEVE	VINYL	1
18	BOLT	SS304	4
19	BOLT NUT	SS304	4
20	BOLT WASHER	SS304	4
21	STOP PIN	SS304	1
22	PIN NUT	SS304	1
23	WASHER	SS304	1

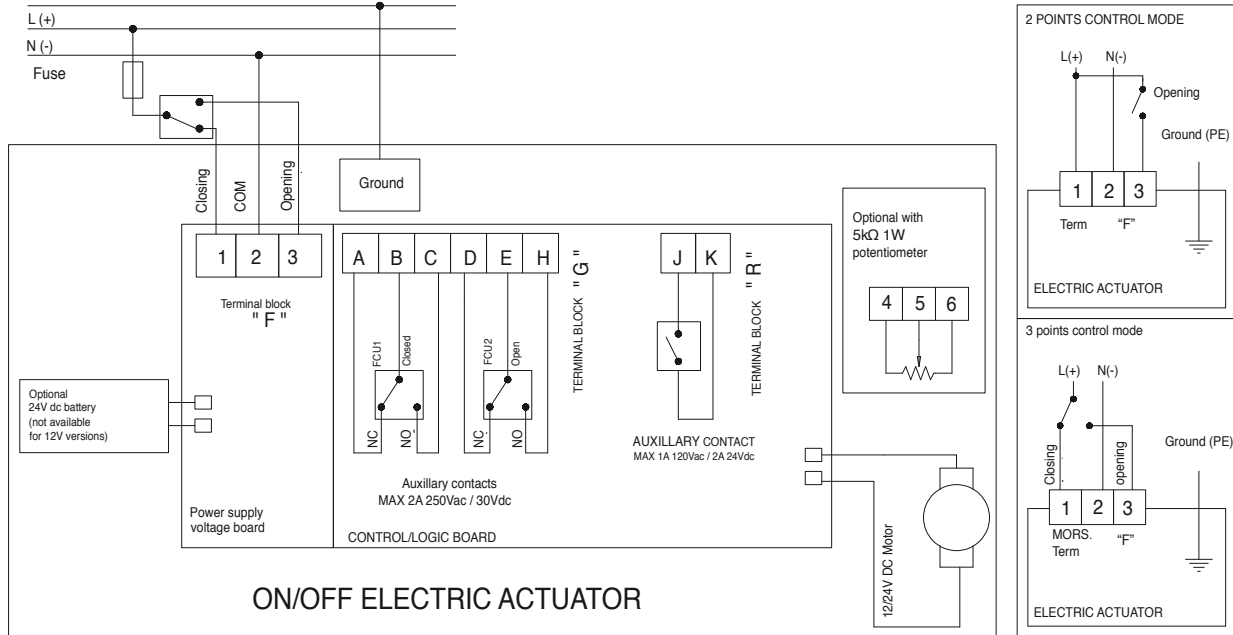
DIMENSIONS



Size	A	B	C	D	E	F	G	H	Act.
1/2"	0.37	10.83	9.48	6.34	7.36	2.48	4.88	3.50	VB030M
3/4"	0.62	11.25	9.71	6.34	7.36	2.48	4.88	3.99	VB030M
1"	0.87	13.72	11.90	6.34	7.36	2.48	4.88	4.50	VB030M
1-1/2"	1.37	15.23	12.73	6.93	7.76	2.48	5.28	5.51	VB060M
2"	1.87	14.75	12.01	6.93	7.76	2.48	5.28	6.25	VB060M
2-1/2"	2.37	17.44	13.95	10.63	10.47	6.50	3.98	6.85	VB110M
3"	2.87	18.10	14.31	10.63	10.47	6.50	3.98	7.60	VB110M
4"	3.83	19.15	14.89	10.63	10.47	6.50	3.98	8.89	VB190M

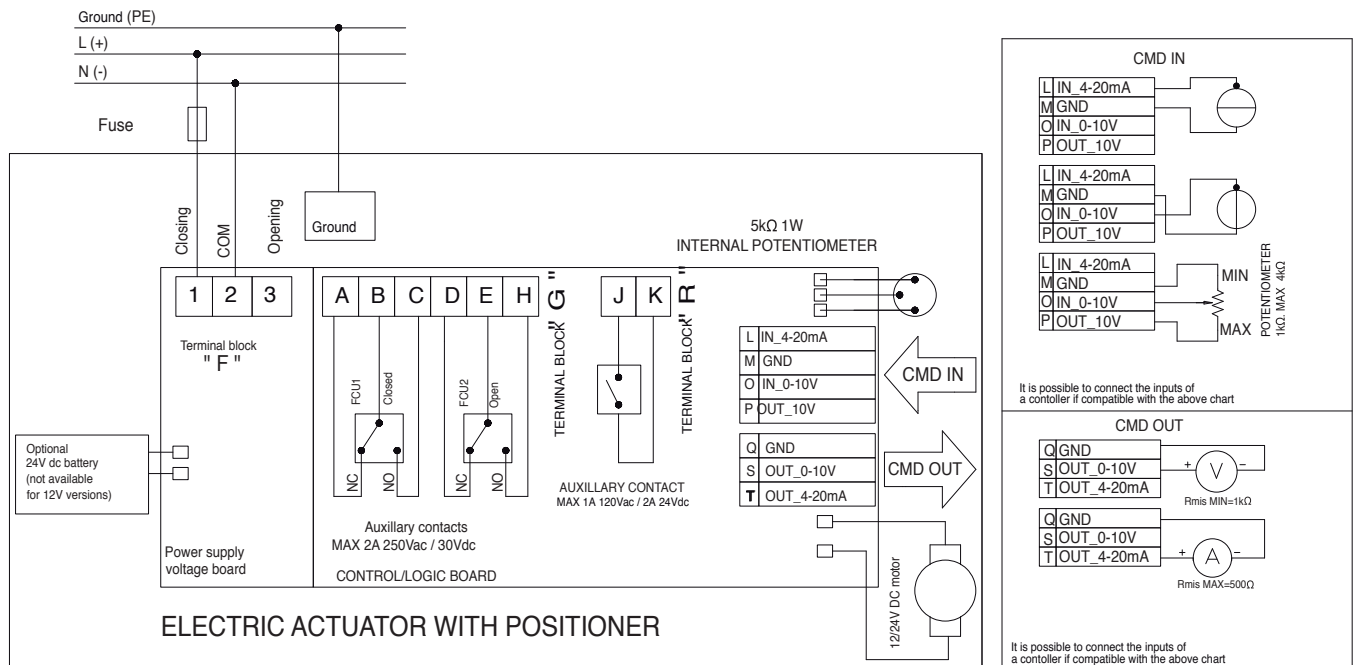
ON/OFF WIRING DIAGRAM

12V AC/DC, 24V AC/DC & 100-240VAC



POSITIONER WIRING DIAGRAM

12V AC/DC, 24V AC/DC & 100-240VAC



The power supply COM signal (pin "2" terminal block "F") cannot share the same electrical command ground signal (pin "GND" terminal block "CDM IN") or feedback ground signal (pin "GND" terminal block "CDM OUT").